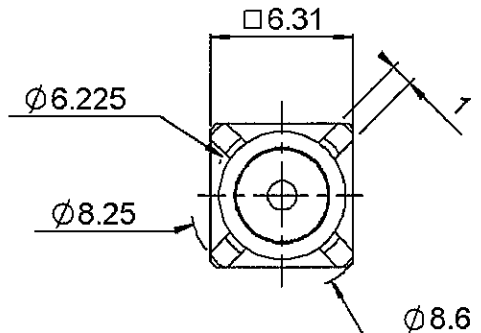


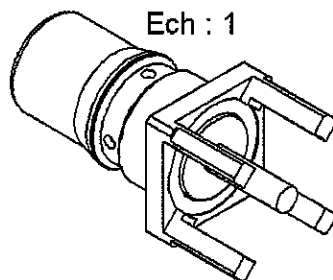
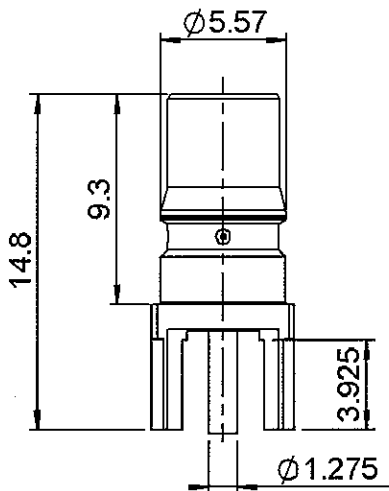
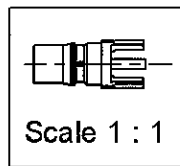
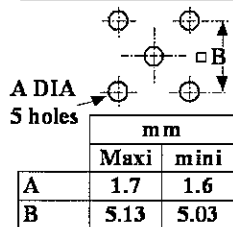
**STRAIGHT PCB RECEPTACLE**

**R123.426.003**

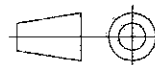
Series : QMA



**PANEL CUT OUT**



All dimensions are in mm.



COMPONENTS	MATERIALS	PLATINGS (µm)
BODY	BRASS	NPGR
CENTER CONTACT	BERYLLIUM COPPER	NPGR
OUTER CONTACT		
INSULATOR	PTFE	
GASKET		
OTHERS PARTS		
-	-	-
-	-	-
-	-	-

Issue : 0544 D

In the effort to improve our products, we reserve the right to make changes judged to be necessary.



**STRAIGHT PCB RECEPTACLE**

**R123.426.003**

Series : QMA

**PACKAGING**

Standard	Unit	Other
100	'W' option	Contact us

**SPECIFICATION**

**ELECTRICAL CHARACTERISTICS**

**ENVIRONMENTAL**

Impedance		50 Ω
Frequency		0-6 GHz
VSWR	1.15 +	0.000 x F(GHz) Maxi
Insertion loss		0.05 √F(GHz) dB Maxi
RF leakage	- (	***80 - F(GHz)) dB Maxi
Voltage rating		500 Veff Maxi
Dielectric withstanding voltage		1000 Veff mini
Insulation resistance		5000 MΩ mini

Operating temperature	-40/+80 ° C
Hermetic seal	NA Atm.cm3/s
Panel leakage	NA

**OTHERS CHARACTERISTICS**

Assembly instruction NA

Others :

\*\*Intermod.: -120dBc at 1.8GHz(2 x 20W)  
RF leakage: Interf. only: 3<F<6GHz:>70dB

**MECHANICAL CHARACTERISTICS**

Center contact retention		
Axial force – Mating end	27	N mini
Axial force – Opposite end	27	N mini
Torque	2.8	N.cm mini
Recommended torque		
Mating	NA	N.cm
Panel nut	NA	N.cm
Mating life	100	Cycles mini
Weight	3.428	g

Issue : 0544 D

In the effort to improve our products, we reserve the right to make changes judged to be necessary.



**RADIALL**®